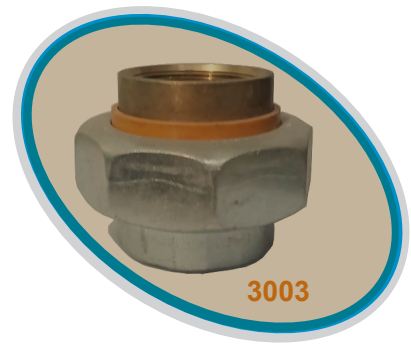


# SERIES 3003

## Dielectric Unions



### Sizes 1/2" - 2" (15-50mm)

Series 3003 Dielectric Unions feature a female iron pipe thread to female brass pipe thread connection. These unions are designed to be installed between pipe made from dissimilar metals to prevent accelerated corrosion and deterioration in the piping system due to galvanic and stray current.

### Features

- Female iron pipe thread to female brass pipe threaded connection
- Designed and manufactured to the highest quality standards
- Individually factory certified to withstand a minimum of 600 volts on a dry line with no flashover
- Rated to 180°F (82°C) at 250psi (17.2 bar)

### Specifications

A dielectric union shall be installed where indicated on the plans. The union shall feature a female iron pipe thread to female brass pipe threaded connections.

### Materials

Gray Iron	ASTM A48-83
Malleable Iron Parts	ASTM A-197-79
Steel Parts	ASTM A108
Brass Parts	ASTM B-16
Bronze Parts	ASTM B-584
Zinc Parts	ASTM B633-85
Standard Gasket A	Buna-N
Optional Gasket B	EPDM

### Options

GB - Optional EPDM gasket for use in steam or hot water applications up to 300°F (149°C) at 50psi (3.4 bar).

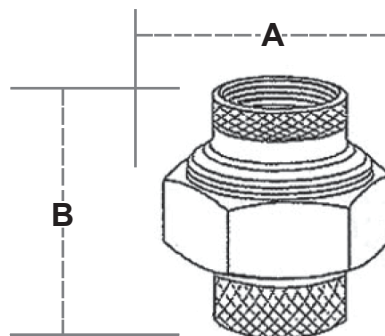
### Standards

Meet federal specifications for tensile strength and thread end connections.

### Pressure - Temperature

Maximum Pressure : 250psi (17.2 bar)  
Maximum Temperature : 180°F (82°C)

### Dimensions - Weights



SIZE (DN)		DIMENSIONS				WEIGHT	
		A		B			
<i>In.</i>	<i>mm</i>	<i>In.</i>	<i>mm</i>	<i>In.</i>	<i>mm</i>	<i>oz.</i>	<i>gm.</i>
1/2	15	1 5/8	41	2 1/4	57	6.7	190
3/4	20	1 7/8	48	2 1/4	57	14.7	417
1	25	2 1/4	57	2 1/2	64	20	567
1 1/4	32	2 3/4	70	2 3/4	70	26.7	757
1 1/2	40	3 1/2	89	2 3/4	70	48	136
2	50	4 1/8	105	3 1/8	79	69.3	1965

