

Overall Dimensions and Performance Parameters of DCL-20/40/60

Type Performance Parameters	DCL—20				DCL—40				DCL—60			
	DC24V	AC110V	AC380V	AC220V	DC24V	AC110V	AC380V	AC220V	DC24V	AC110V	AC380V	AC220V
Motor Power	35W	40W	30W	40W	70W	90W	40W	90W	70W	90W	40W	90W
Rated Current	3.57A	0.65A	0.15A	0.37A	5.13A	1.12A	0.29A	0.57A	6.04A	1.18A	0.29A	0.60A
Standard Time/Torque	30S/200Nm				30S/400Nm				45S/600Nm			
Optional Time/Torque	15S/100Nm		15S/100Nm 15S/200Nm		15S/100Nm		15S/100Nm 15S/200Nm					
Turning Angle	0~90° Adjustable											
Available Control Circuit	Types of A、B、C、D、E、F、G、H											
Total Weight	8.0kg				8.5kg				9.0kg			
Insulating Resistance	DC24V/AC24V: 100M Ω /250VDC AC110V/AC220V/AC380V: 100 M Ω /500VDC											
Withstand Voltage Class	DC24V/AC24V: 500VAC 1minutes, AC110V/AC220V:1500VAC 1minutes, AC380V:1800VAC 1minutes											
Protection Class	Ip67											
Installation Angle	360° at any angle											
Electric Interface	Two G1/2 Water-proof Cable Connectors, one for power line and one for signal line.											
Ambient Temperature	-30℃ ~ +60℃											
Optional Function	◆Over-torque Protector						◆Heater for eliminating moisture					

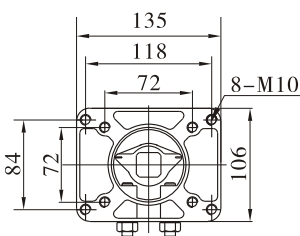
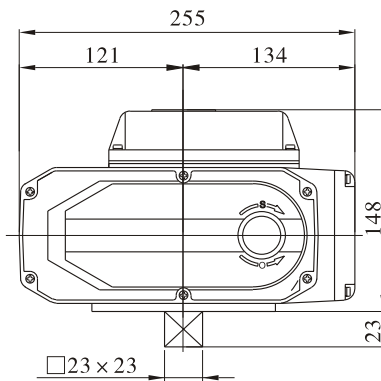
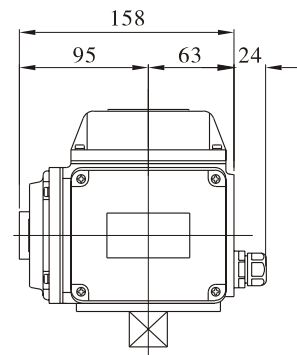


Standard type



Direct installation type

Standard type



Parameters for direct installation		
	DCL-20	DCL-40/60
Square	□14×14 □17×17	□17×17or□22×22
Flange	F07	F10
Valve stem	Height ≤ 25mm	

Direct installation type

